

Product information sheet CARENA-S

Item no. 520767

Benefits



- Modern premium mixer tap
- Covert extendable spray
- High arched outlet for easy filling of pots and vases
- High positioned, ergonomic control lever

Colours



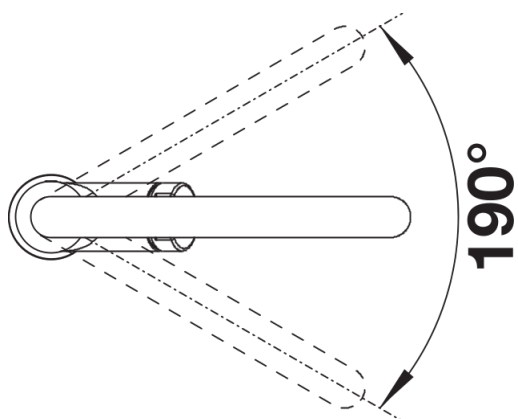
Available colours:
chrome

galvanic chrome

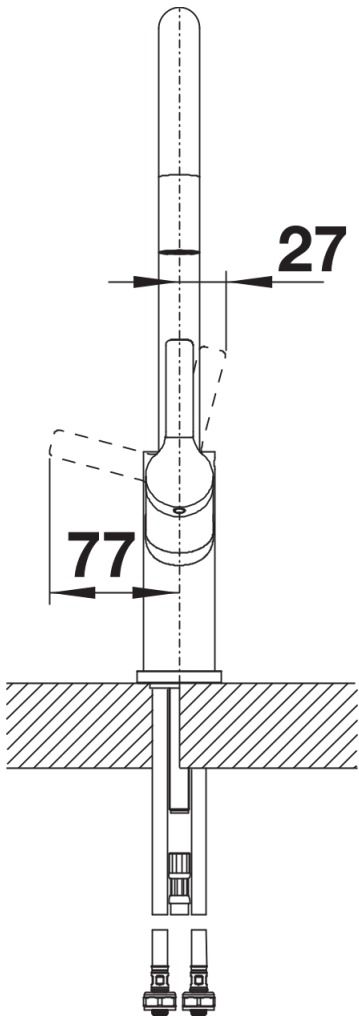
Scope of supply

- 190° swivel spout for greater reach
- Ø 35 mm tap hole required
- With ceramic disk cartridge
- Patented jet regulator for markedly reduced scaling
- Spray made of plastic
- Hidden spray with rearward guide pin
- Nylon-sheathed spray hose
- Hose weight for reliable retraction
- Flexible connector pipes, 500 mm long and $\frac{3}{8}$ " nut
- Stabilisation plate to increase the stability of the tap when fitted in stainless steel sinks
- With non-return valve and thus guaranteed against reflux in accordance with EN 1717

Details



Swivel range



Side view hand gear 2D

