

## Product information sheet LINUS-S

Item no. 526684

### Benefits

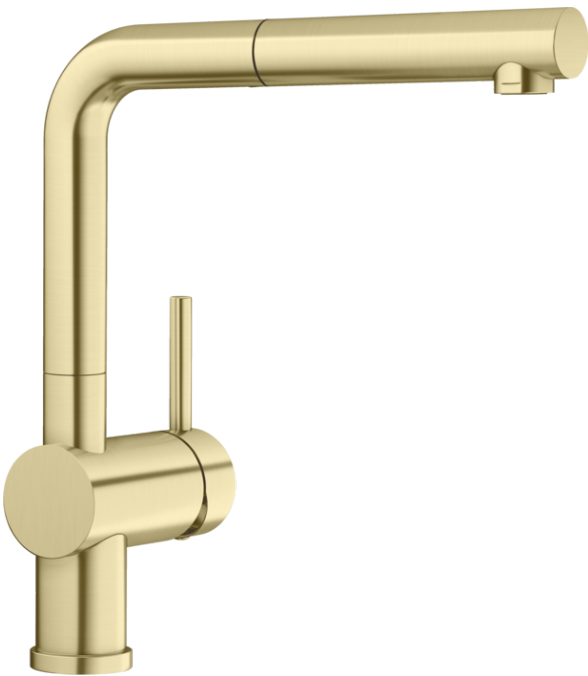
---



- Minimalist design
- Extendable spray head
- High quality metal spray
- High spout for easy filling of large pans and vases

### Colours

---



Available colours:

- PVD steel
- satin gold
- satin dark steel
- satin platinum

PVD satin gold

## Planning information

---

- For ND version with flow rate control to protect the boiler.

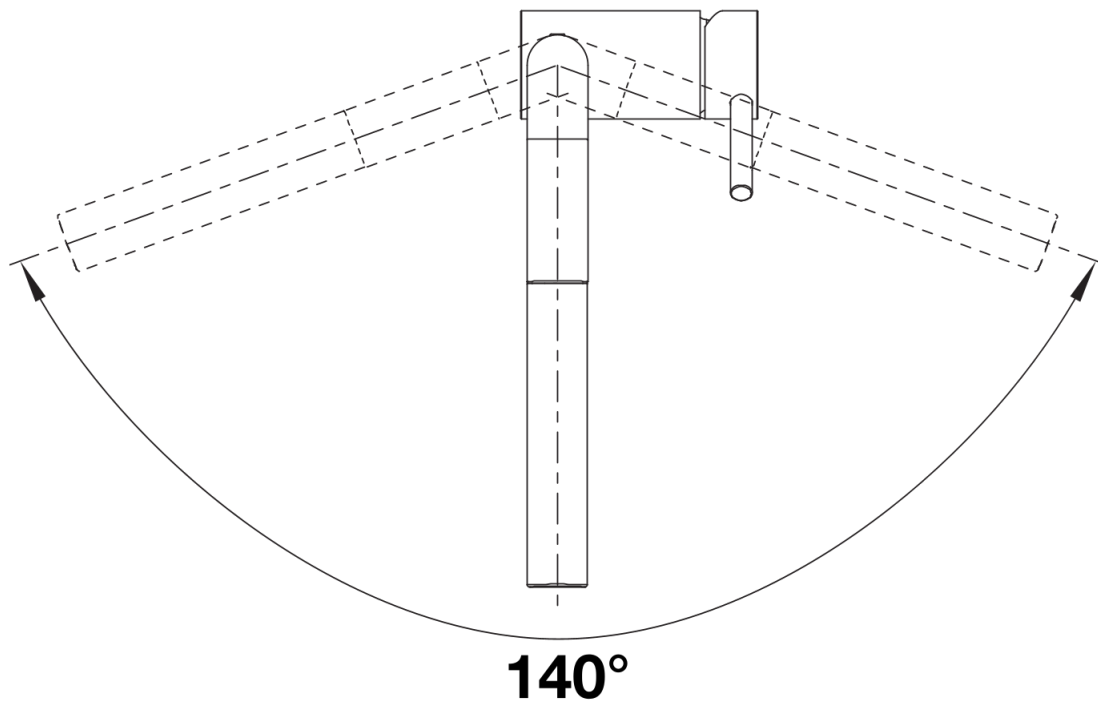
## Scope of supply

---

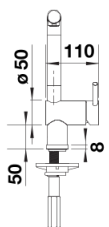
- 140° swivel spout for greater reach
- Ø 35 mm tap hole required
- With ceramic disk cartridge
- Patented jet regulator for markedly reduced scaling
- Spray made of metal
- Metal-sheathed spray hose
- BLANCO hose weight for extended reach
- Flexible connector pipes, 700 mm long and  $\frac{3}{8}$ " nut
- Stabilisation plate to increase the stability of the tap when fitted in stainless steel sinks
- With non-return valve and thus guaranteed against reflux in accordance with EN 1717

## Details

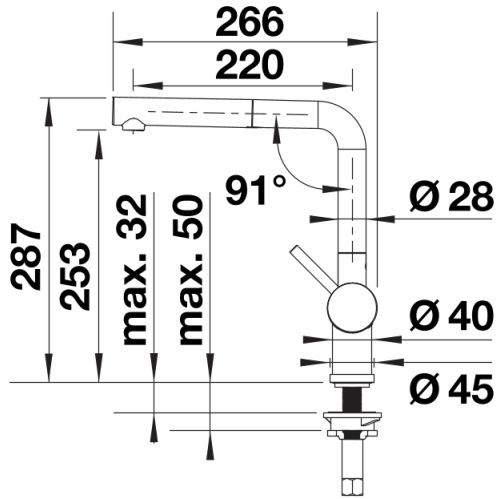
---



Swivel range



Side view hand gear 2D



Side view