



HAILO Stepfix

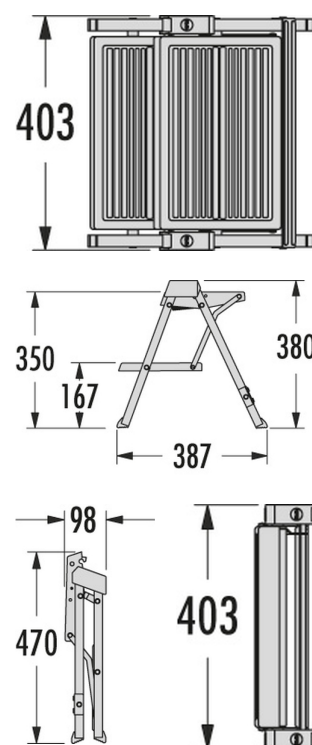
4410001

GTIN: 4007126368447

The practical folding step for the kitchen



- The practical step-ladder for the built-in kitchen – The original, third-generation
 - Timeless design
 - anthracite powder-coated
 - Just 4 kgs weight
 - May be stowed in any kitchen: plinth-area, cabinet or niche
 - Flat folded just 9,8 cm, only
 - Safe locking of folding-mechanism
 - Easy unlocking and folding up with one-hand operation
 - Stable standing due to non-slip plastic feet
 - Load capacity steps made of sheet steel with ruffle
- Stepping height: 350 mm



Specifications

Built-in dimensions (WxDxH) (mm)	403 x 98 x 470
Product dimensions (WxDxH) (mm)	403 x 387 x 380
Packing dimensions (WxDxH) (mm)	403 x 100 x 470
Color plastic parts	anthracite
Color metal parts	anthracite
Weight incl. packing (kg)	3,9

