



## Base Units

### K-Line Base 150

The K-Line base range provides a perfect view of the stored goods within a sleek modern design.

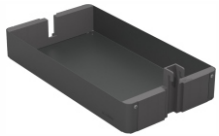
- Full-extension runners
- Optimal overview of contents
- Space-saving design
- Utilises entire unit width
- Easy access to stored goods



Type/Option/  
Version

Colour and  
specification

**150**mm  
cabinet size



Anthracite  
K-Line

Image

Items

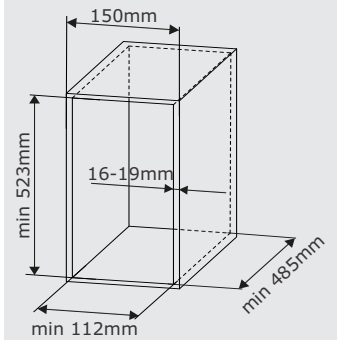
Product  
Codes

Matching  
Accessory



K-Line 150mm  
base unit

KS0021409846



#### Optional Accessories & Spares

#### Customers also purchased



Top Runner (Right)  
KSSTBA



Bottom Runner (Right)  
KSSTBA



cleaningAGENT  
KS2339629846



Move Board 450  
KS2386779846/89846

#### Scope of supply

- 1 x Soft-close runner set
- 1 x Frame set
- 2 x Trays
- 2 x Tray mats
- 2 x Screw sets
- Mounting instructions