



Base Units

K-Line Base 300

The K-Line base range provides a perfect view of the stored goods within a sleek modern design.

- Full-extension runners
- Optimal overview of contents
- Space-saving design
- Utilises entire unit width
- Easy access to stored goods



Max 28kg



3D AdjustFix



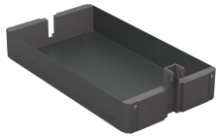
ClickFix



Type/Option/
Version

Colour and
specification

300mm
cabinet size



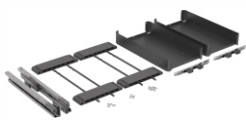
Anthracite
K-Line

Image

Items

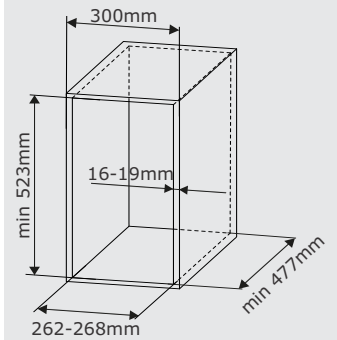
Product
Codes

Matching
Accessory



K-Line 300mm
base unit

KS0021429846



Optional Accessories & Spares

Customers also purchased



Top Runner (Left)
KSSTBA



Bottom Runner (Right)
KSSTBA



cleaningAGENT
KS2339629846



Move Board 450
KS2386779846/89846

Scope of supply

- 1 x Soft-close runner set
- 1 x Frame set
- 2 x Trays
- 2 x Tray mats
- 3 x Screw sets
- Mounting instructions