



Base Units

cleaningAGENT

The pick-up-and-go cleaning assistant that sorts and stores cleaning products that are always ready for use.

- Soft-closing runners
- Optimal overview of contents
- Swing door application
- Dishwasher-safe inserts
- Effortless operation



Max 12kg

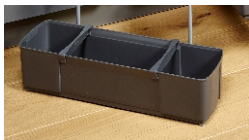


ClickFixx



Type/Option/ Version

Colour and specification



Anthracite steel frame
with anthracite tray
sets

350 mm min.
cabinet size

Image

Items

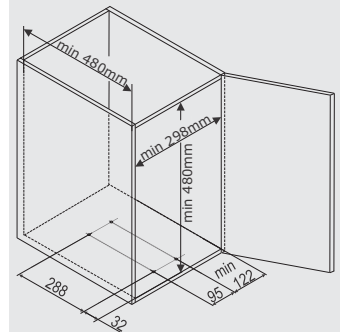
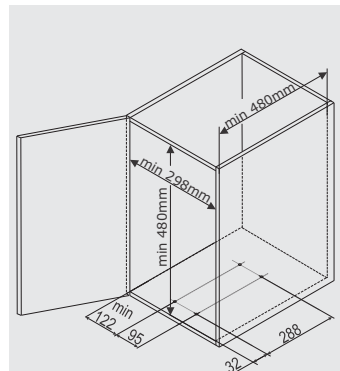
Product Codes

Matching Accessory



cleaningAGENT
base unit

KS2339629846



Scope of supply

- 1 x Soft-close runner set
- 1 x Frame set
- 3 x Tray sets
- 1 x Steel base
- 1 x Tray insert
- 6 x Dividers
- 2 x Screw sets
- Mounting instructions

Customers also purchased



Evo 100 Waste Disposer
IN78125T



Tandem 30L Waste Bin
HA3666101