



Corner Units

Move Board 450

Move Board swings smoothly and effortlessly out of a corner cupboard offering a clear view and easy access to contents.

- Can be retro-fitted
- Optimal use of space
- Easy access to contents
- Fluid movement
- Swings out in front of the cabinet



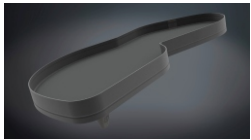
Max 18kg
Per tray



ClickFixx

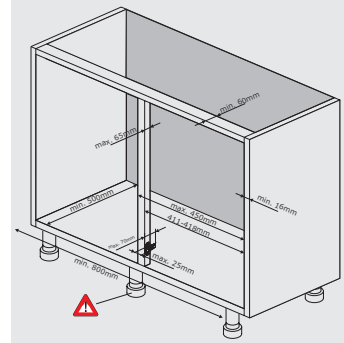
Type/Option/
Version

Colour and
specification



Anthracite
K-Line
Grey base

450mm*
door size



Image

Items

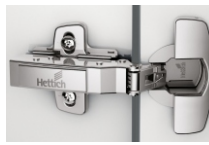
Product
Codes

Matching
Accessory



K-Line Move Board 450
Right Hand
With mounting arms

KS2386779846



110° Soft-close hinge
HE9071208 +
HE9071577



K-Line Move Board 450
Left Hand
With mounting arms

KS2386789846



110° Soft-close hinge
HE9071208 +
HE9071577

Customers also purchased



Tandem II Larder
KS0035269846 +
KS0036119846



K-Line 300 Base
KS0021429846



cleaningAGENT
KS2339629846

Scope of supply

2 x Move Board trays
2 x Swivel arm sets
Mounting instructions

*For 900mm blind corner cabinet.